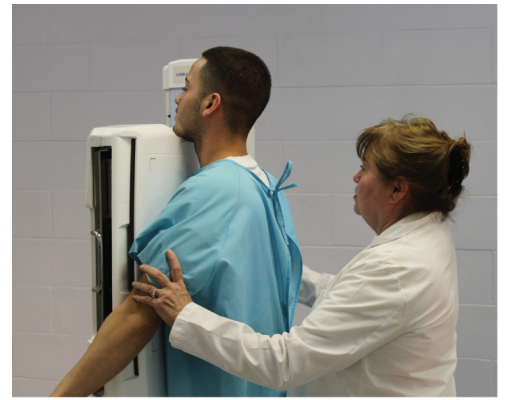




# FRS *Classic*

FLOOR RAIL SYSTEM - MULTI-PURPOSE RADIOGRAPHIC SYSTEM



## Decubitus Abdomen



- **Improve Productivity** - Migrating exams to standing positions helps to improve productivity.
- **Simplicity** - A simple, durable design, minimizes the potential for down-time.
- **Protect Your Investment** - The single-receptor design protects your DR investment by not requiring panel movement between two receptor locations.
- **Minimal Learning Curve** - Traditional floor mounted design means no complicated learning curve for technologists.
- **Industry's Best Warranty** - 5 year parts warranty, standard, ensuring a low cost of ownership.



## **Improve Productivity**

Migrating exams to standing positions helps to improve productivity.

## **Quality and Value**

Hospital grade equipment that can handle the busiest of clinics or hospital environments.

**The FRS is an exceptional value, both in functionality and cost of ownership.**

**The FRS comes standard with a 5 year parts warranty to back up the claims.**

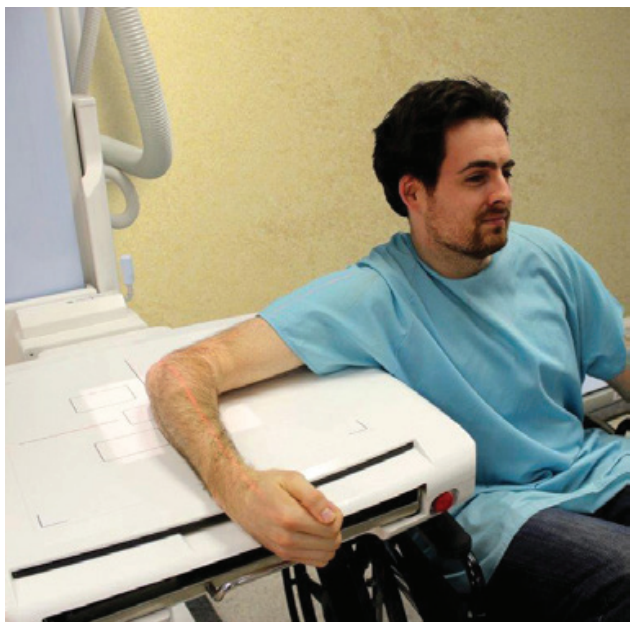
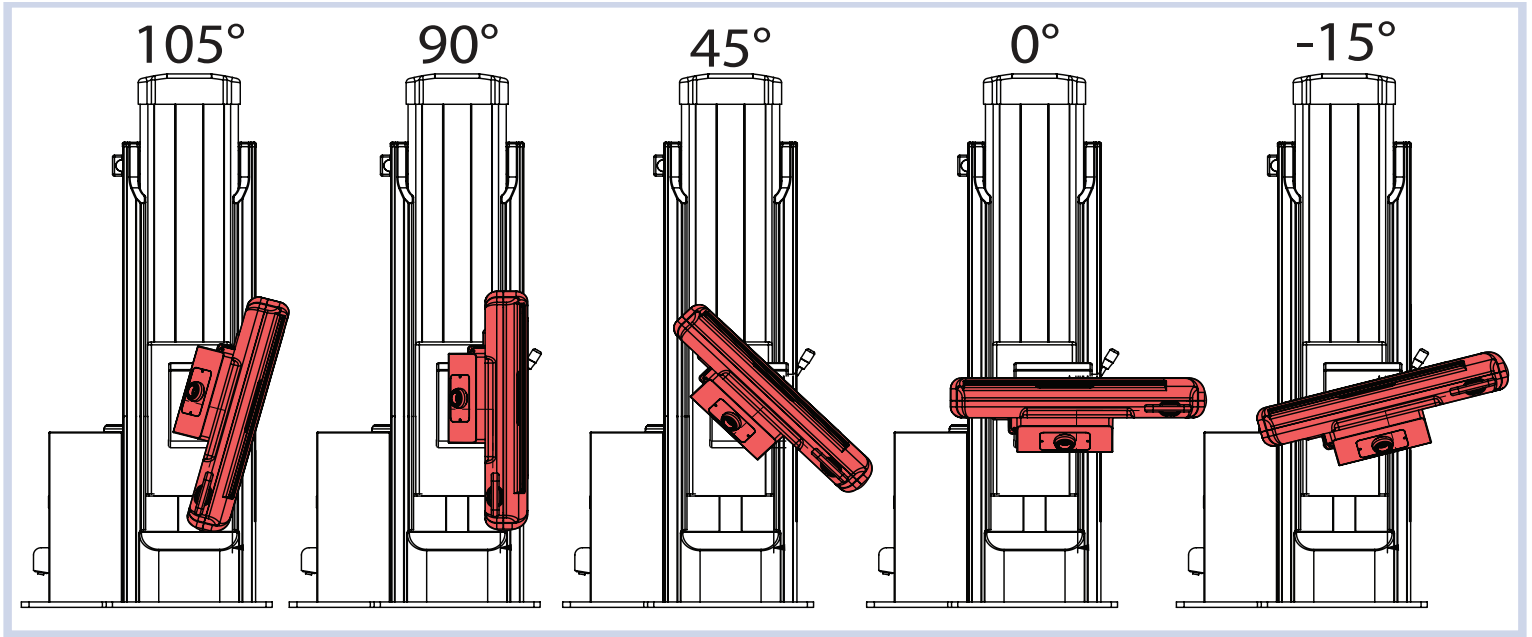


Image wheelchair patients with ease.



# ROTATION RANGE 105° TO -15° IN 5° INCREMENTS



AVAILABLE IN RIGHT AND LEFT LOAD/SHOOT POSITIONS

## System Description



### Motorized, elevating detector stand

- Footswitch and hand button operation
- -15° to +105° manual cabinet rotation in 5° increments
- Available with (choose one):
  - Mounting plate for fixed DR
  - Detector tray for wireless DR
- Removable 103 line, 10:1 grid
- Collision sensing and emergency shut-off

### Floor Mount Tubestand

- 8 foot floor rail
- Manual, fully counterbalanced movement
- Electric locks
- Tube rotation:  $\pm 135^\circ$

### Mobile Table with 500 Pound Patient Capacity

- 500 Pound Patient capacity

### Certified Manual Collimator

- LED light source
- Patient positioning LASER

### Configuration Flexibility

- 30kW to 80kW generators
- Compatible with all DR solutions



[www.amradmedical.com](http://www.amradmedical.com)

SUMMIT INDUSTRIES, LLC  
7555 N. Caldwell Avenue, Niles, Illinois 60714  
(p) 773-353-4000 | (p) 1-800-729-9729



SAI GLOBAL  
ISO 13485  
Quality



LITR030-1120